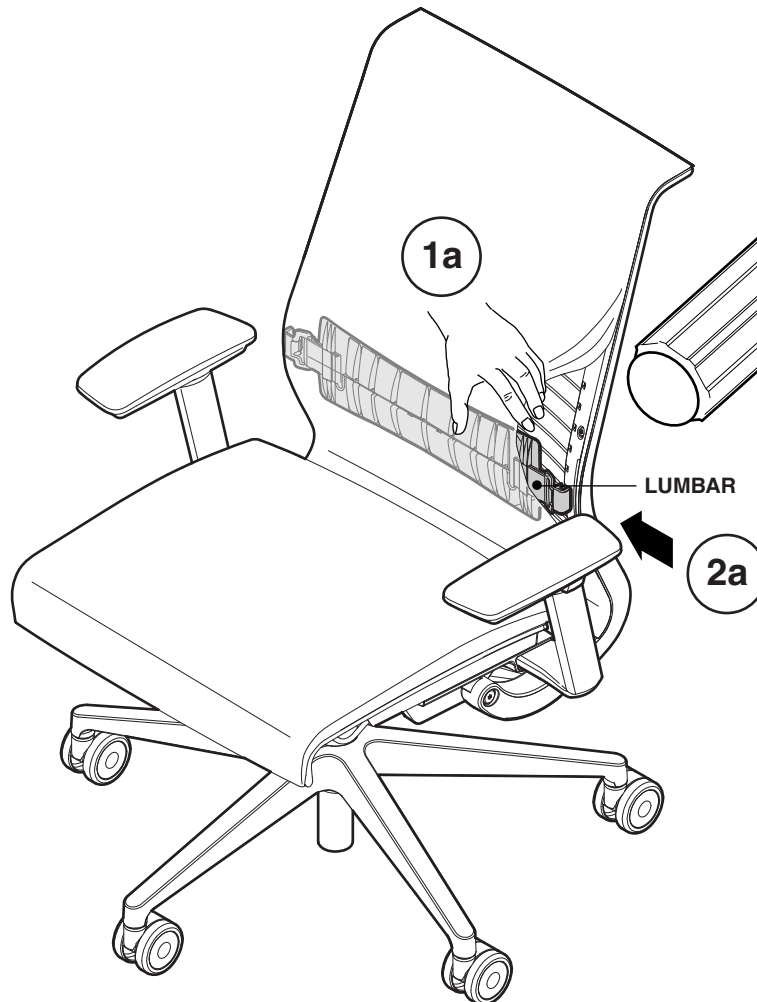
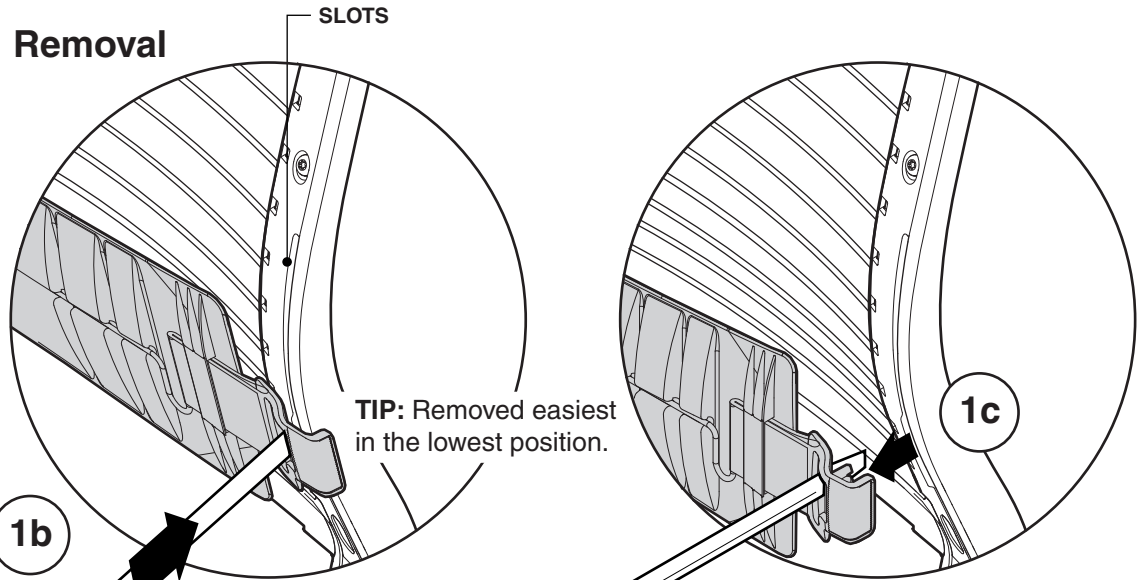


Removal & Installation of the Lumbar

1. Slide the cushion over (1a). Insert a flat bladed screwdriver into the lumbar to release the clip (1b). While the screwdriver is still installed into the lumbar, pull the lumbar clip away from the chair body (1c).

Repeat for the opposite side.

Removal



2. Slide the lumbar between the back cushion and the wires (2a). With your thumb, snap the lumbar clip into the slot in the chair body (2b).

Repeat for the opposite side.

Installation

