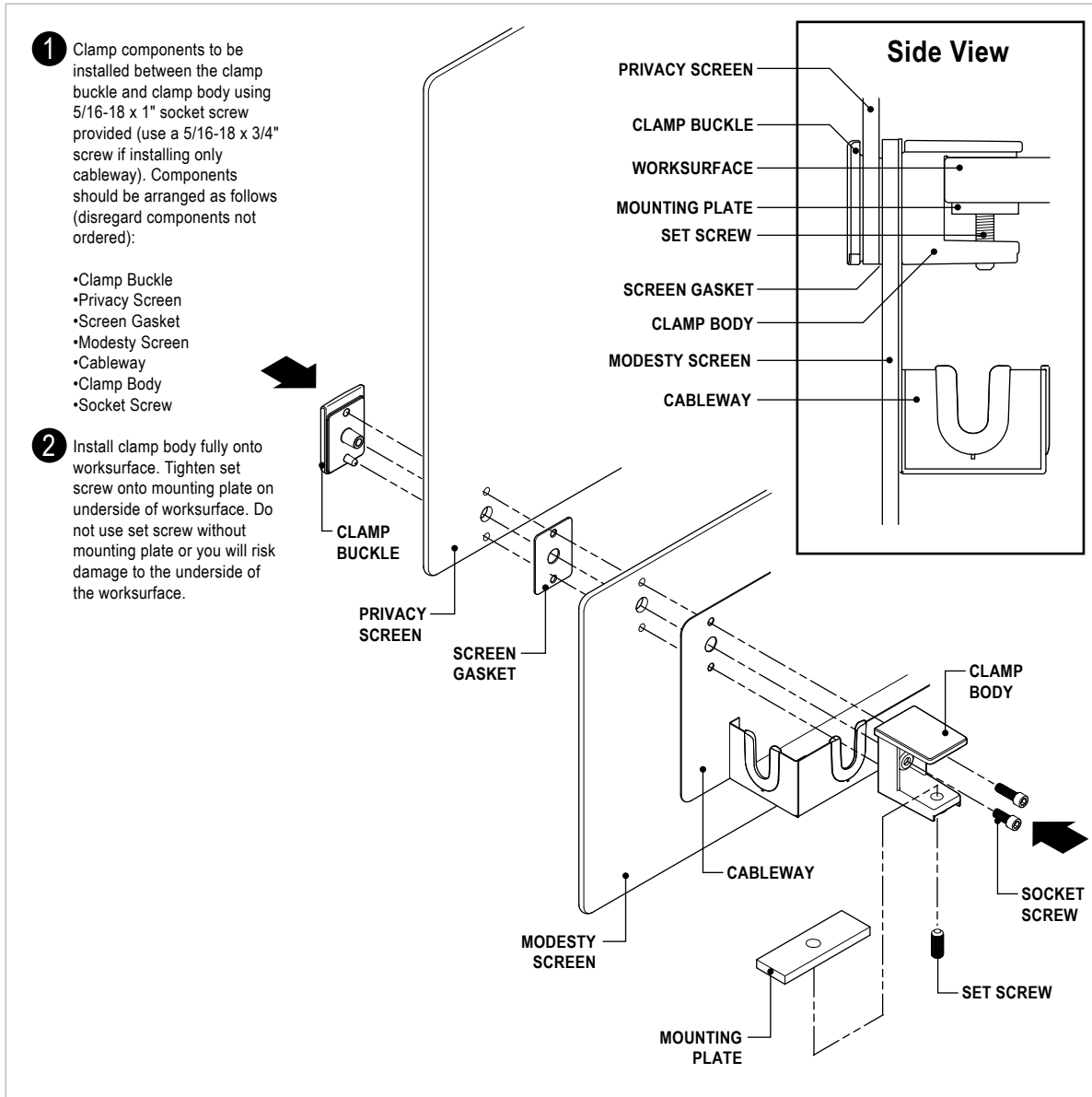


# Universal Clamp Assemblies

## Installation Instructions

005551D Rev C Page 1 of 1

ACXX  
AMXX  
APXX  
ACMXX  
ACPXX  
AMPXX  
ACMPXX



For a better day at work.™

**details®**

A STEELCASE COMPANY

P.O. Box 1967 / CD-5E / Grand Rapids, MI 49501-1967 / [www.details-worktools.com](http://www.details-worktools.com)

©2007 Office Details Inc. All rights reserved. Printed in U.S.A. 12/07

Universal Clamp Assemblies Installation Instructions

details®

# Horizontal Clamp Assemblies

## Installation Instructions

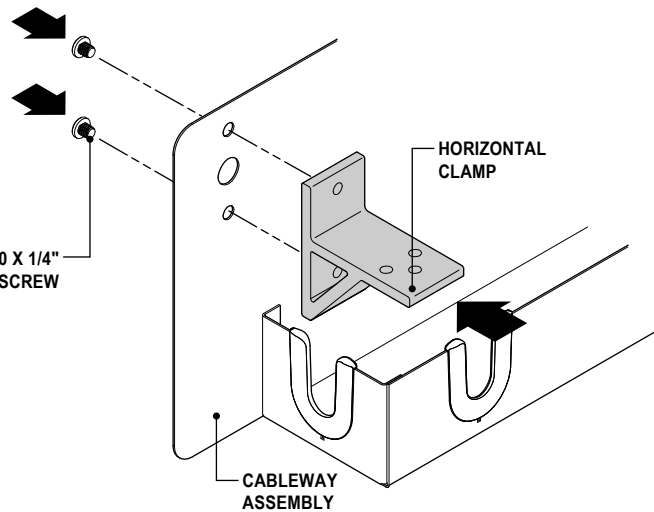
00555D Rev B Page 1 of 1

ACXX  
AMXX  
APXX  
ACMX  
AMPXX  
ACMPXX

- 1 Install two (2) horizontal clamps to cableway using two (2) 1/4-20 x 1/4" button head screws.

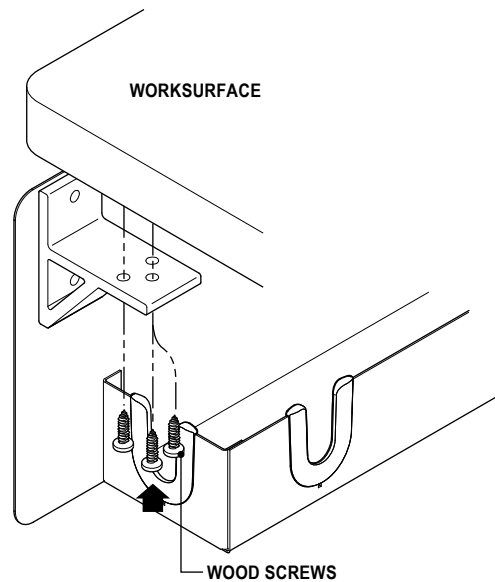
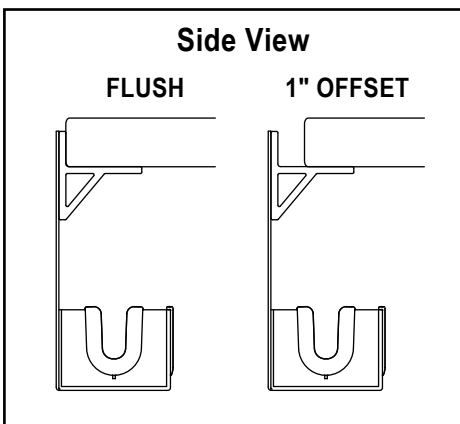
**NOTE:** AHORZ55 and AHORZ61 require three (3) horizontal clamps.

1/4-20 X 1/4"  
BUTTON HEAD SCREW



- 2 Install cableway to underside of desk using wood screws provided.

User can choose to offset cableway 1" from rear of worksurface to allow cables to be run over edge of desk if adequate space exists behind worksurface.



For a better day at work.™

# details®

A STEELCASE COMPANY

P.O. Box 1967 / CD-5E / Grand Rapids, MI 49501-1967 / [www.details-worktools.com](http://www.details-worktools.com)

©2007 Office Details Inc. All rights reserved. Printed in U.S.A. 12/07